

PERFORMANCE ENHANCEMENTS

Sustainable Solutions is Our Ongoing Commitment

Concept Part Solutions is dedicated to extending the lifetime of your maturing semiconductor manufacturing equipment. As your toolsets age and new processes emerge, we pursue every opportunity through our Continuous Improvement Program (CIP) to offer important enhancements that increase the reliability, productivity, and performance of your install base.



MV200

Hardwired Alicat Regulator Kit

Concept Part Solutions is committed to improving the sustainability of the MV200 system. Proven enhancements, originally developed by the OEM, are available for the CMP tool sets. Hard-Wired Zone Regulators will improve process repeatability on the MV200 platform.

The ability of zone regulators to maintain constant pressure during wafer processing is critical to device quality. Process recipes are designed to optimize wafer yield and can tolerate only very narrow process variations before product yield begins to suffer.

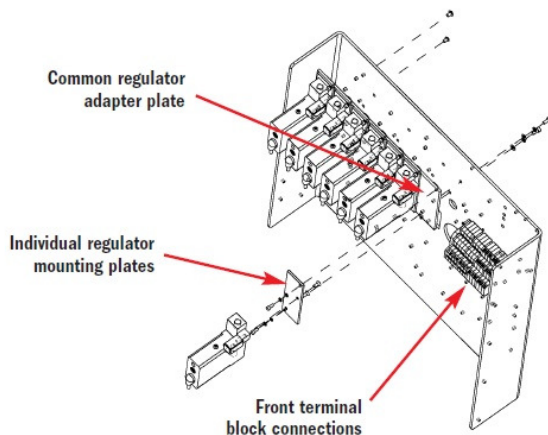
To reduce the occurrence of pressure variations on the MV200, Novellus designed a Performance Enhancement for the MV200. The Hard-Wired Zone Pressure Regulator Kit eliminates pressure fluctuations and set-point variations caused by the connector contacts. The friction contacts in the original design have been replaced with hard-wired connections to provide a more stable, repeatable process environment and the result is more consistent wafer yields.

Replacement is Simple

Because the new Hard-Wired Zone Pressure Regulator Kit uses the same type of zone regulators currently installed, upgrading to the new kit is as simple as replacing the existing regulator with the new kit. There are no changes required to the system software and process recipes. The performance of the Hard-Wired Pressure Regulator Kit has been validated through extensive process transparency testing and meets all required quality and safety standards.

Benefits

- Eliminates pressure fluctuations and set-point variations
- Increases consistent wafer yields
- Drop in installation
- Simplifies maintenance procedures



To make maintenance even easier, the Hard-Wired Zone Pressure Regulator Kit includes a front mount that simplifies the process of on-going maintenance. In addition, the original connection points have been retained for quick, routine maintenance checks.



Corporate Headquarters
Concept Part Solutions, Inc.
2047 Zanker Road
San Jose, CA 95131
Tel: 408.855.8585
www.conceptpartsolutions.com

MV200
Alicat Regulator Kit

Get More Information on System Performance Enhancements

To find out how to improve the performance and productivity of your CPS supported systems, call your local CPS Sales and Service Office for complete ordering information, or visit www.conceptpartsolutions.com.

System Prerequisites:

None

Ordering Information:

Hard Wired Zone Pressure Regulator Kit 04-316201-00

Some Upgrades may require an audit of your System; Contact your local CPS Representative to verify the Upgrade Kit before ordering.